

PRODUCT INFORMATION PACKET

marathon[®]
Motors

Model No: 215TCDW17002
Catalog No: I106
10,3600,DP,215T,1/60/208-230
Open Drip Proof (ODP)



Regal and Marathon are trademarks of Regal Beloit Corporation or one of its affiliated companies.
©2018 Regal Beloit Corporation, All Rights Reserved. MC017097E

REGAL[®]



Nameplate Specifications

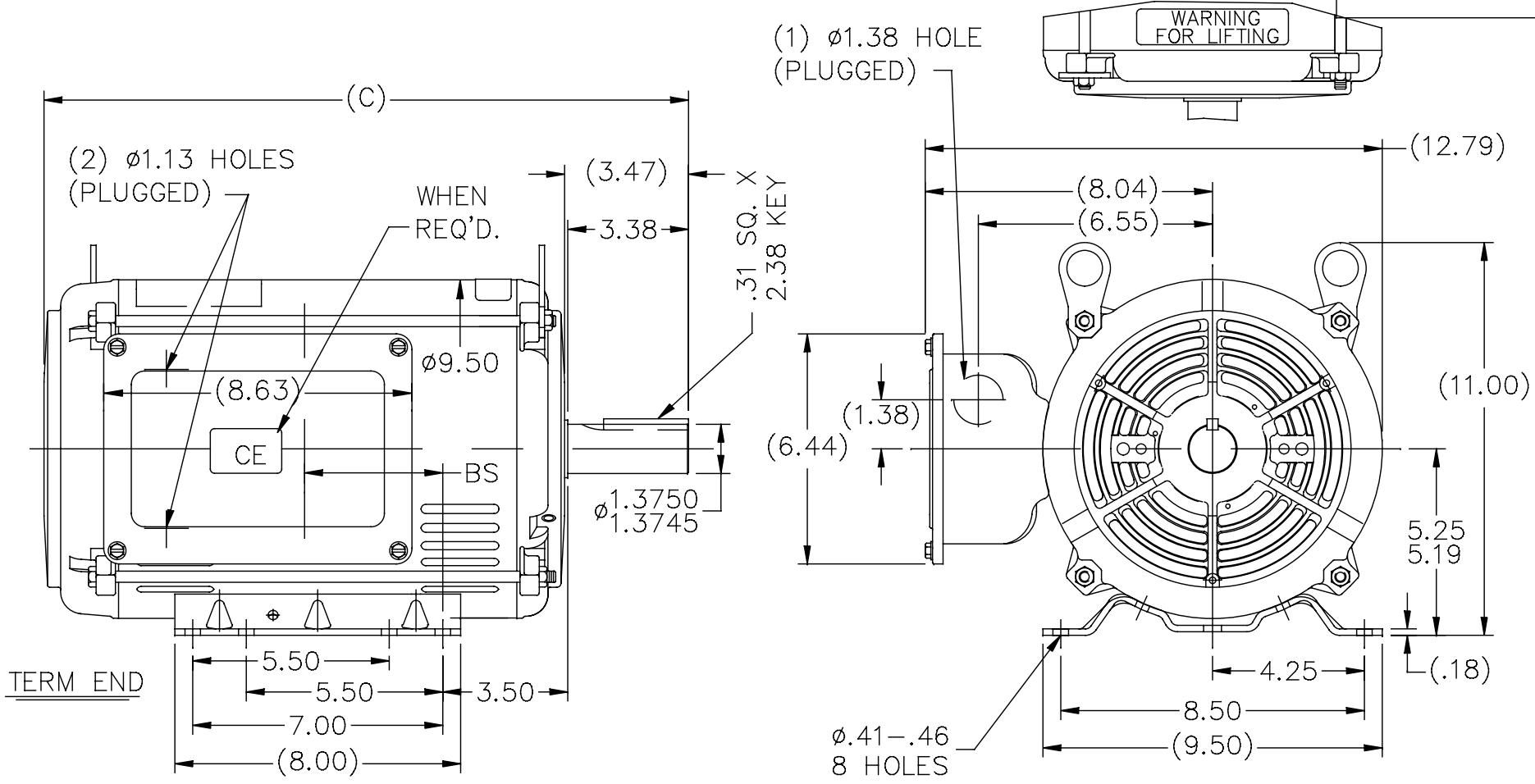
Output HP	10 Hp	Output KW	7.5 kW
Frequency	60 Hz	Voltage	208-230 V
Current	50.0-46.0 A	Speed	3495 rpm
Service Factor	1.15	Phase	1
Efficiency	82.5 %	Duty	Continuous
Insulation Class	F	Design Code	L
KVA Code	G	Frame	215T
Enclosure	Drip Proof	Overload Protector	No
Ambient Temperature	40 °C	Drive End Bearing Size	6307
Opp Drive End Bearing Size	6206	UL	Recognized
CSA	Y	CE	Y
IP Code	22		

Technical Specifications

Electrical Type	Capacitor Start Induction Run	Starting Method	Across The Line
Poles	2	Rotation	Selective Counterclockwise
Mounting	Rigid base	Motor Orientation	Horizontal
Drive End Bearing	Ball	Opp Drive End Bearing	Ball
Frame Material	Rolled Steel	Shaft Type	T
Overall Length	18.05 in	Frame Length	11.15 in
Shaft Diameter	1.375 in	Shaft Extension	3.47 in
Assembly/Box Mounting	F1 Only		
Outline Drawing	037642-1115	Connection Diagram	A-EE7090JR

This is an uncontrolled document once printed or downloaded and is subject to change without notice. Date Created: 06/29/2018

037642



TERM END

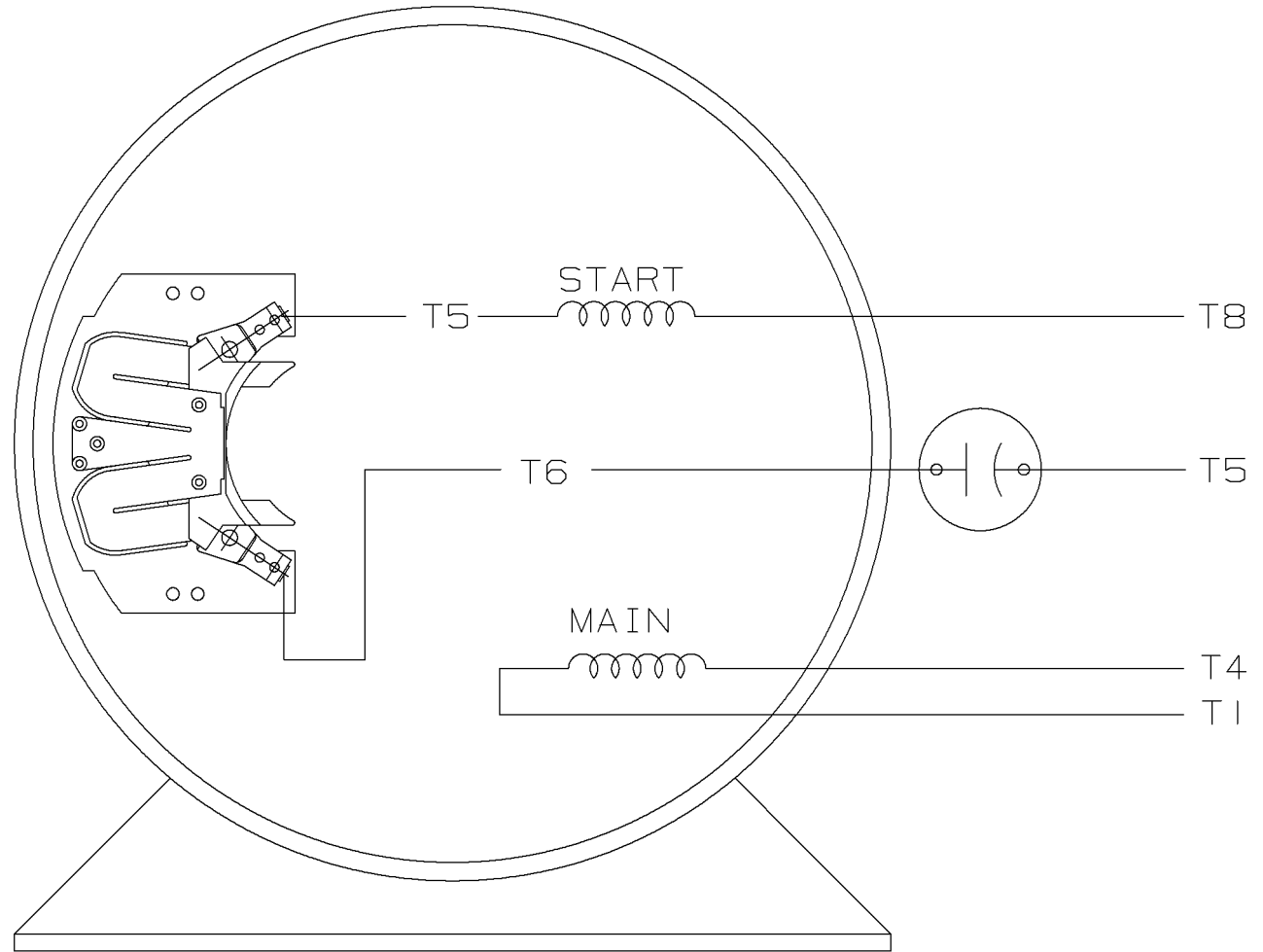
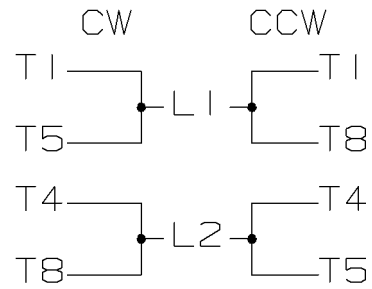
DASH	FR.	C	BS
965	213T	16.55	2.45
1115	213/15T	18.05	3.95
1240	213/15T	19.30	5.20

NOTES:

1. NAMEPLATE TO BE READ FROM C'BOX SIDE OF MOTOR.

				TOLERANCES UNLESS SPECIFIED		Regal Beloit America, Inc.	DRAWN GRB 11/14/08		
				DEC.	INCHES		CHK SK 11/14/08	APPD	
				.X	±.1	TITLE OUTLINE - 210T DP - RIGID - STD	SCALE	1=4.2	
02	CHANGED LOGO TO REGAL	SL 01/28/16	GR	.XXX	±.005		REF	SS86561	
01	DESCRIPTION CHANGED TO DP - RIGID - STD	AK 02/22/10		.XXXX	±.0005		FMF		
NO.	REVISION	BY & DATE	CHK	ANG	±7'30"	FINISH	PREV		
THIS DRAWING IN DESIGN AND DETAIL IS OUR PROPERTY AND MUST NOT BE USED EXCEPT IN CONNECTION WITH OUR WORK ALL RIGHTS OF DESIGN AND INVENTION ARE RESERVED THIS IS AN ELECTRONICALLY GENERATED DOCUMENT - DO NOT SCALE THIS PRINT				RFP		CAD FILE 037642	SIZE	DRAWING NO. PAGE 1 OF 1	
				DIST	LB		A	037642	
								REV.	02

SINGLE VOLTAGE CAPACITOR START MOTOR, ELECTRICALLY REVERSIBLE



VIEW OF TERMINAL END

				<input checked="" type="checkbox"/> MAX. SURFACE ROUGHNESS UNLESS NOTED OTHERWISE	UNLESS OTHERWISE SPECIFIED DIMENSIONS ARE IN INCHES			
					TOL. ON XX± .02	XXX± .005	XXXX± .0005	ANGLES± 7'30"
				MATL SPEC				DRAWN BY GK 01-10-1987
				FINISH				CHKD BY
1	01-10-1987	NEW DRAWING	CN-7664C	GK	REFERENCE DRW.	WAUSAU, WISCONSIN 54401		APPD BY
REV	DATE	CHANGE		NAME	PART NAME CONNECTION DIAGRAM			DRWG NO A-EE7090JR

SHOP BOOK

PURCHASED

DISTRIBUTION - WA - LB - WP - LM - BR

CADD FILE NO.

EE7090JR

ERROR: syntaxerror
OFFENDING COMMAND: --nostringval--

STACK:

214 /Otilde
213 /Ocircumflex
212 /Oacute
211 /Ograve
210 /Ntilde
209 /Eth
208 /Idieresis
207 /Icircumflex
206 /Iacute
205 /Igrave
204 /Edieresis
203 /Ecircumflex
202 /Eacute
201 /Egrave
200 /Ccedilla
199 /AE
198 /Aring
197 /Adieresis
196 /Atilde
195 /Acircumflex
194 /Aacute
193 /Agrave
192 /questiondown
191 /threequarters
190 /onehalf
189 /onequarter
188 /guillemotright
187 /ordmasculine
186 /onesuperior
185 /cedilla
184 /periodcentered
183 /paragraph
182 /mu
181 /acute

